



BBG-SFP

3-Port Media Converter



Description

The BBG-SFP (SFP) is an unmanaged three port Gigabit switch allowing high throughput communications between fiber and Ethernet devices.

The unit provides one 10/100/1000Base-T RJ-45 port and two (2) 1000Base SFP Ports that can be configured according to the application.

Custom interfaces available upon request.

Applications

- Radar Systems (antenna azimuth)
- Navigation Systems (gyrocompass, speedlog, course, pitch, and roll)
- Industrial Machine Interfaces
- Meteorology Instruments
- And Many Others

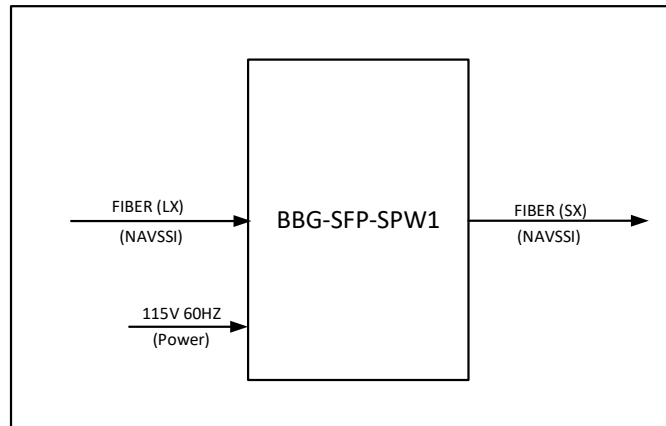
Features

- Unmanaged Operation
- Full IEEE 802.3, 802.3u, 802.3z, and 802.3ab Compliance
- One 10/100/1000BaseT RJ-45 Port
- Two 1000BaseSX/LX (Mini-GBIC) Ports
- Mix and Match Multimode and Singlemode

BBG Incorporated

1708 South Park Court • Chesapeake, VA 23320

Phone:(757) 366-9211 • Fax:(757) 366-9170 • E-mail: sales@bbginc.com • Website: www.bbginc.com

Chart

The BBG-SFP isolates the transmitting devices from the receiving device(s). The unit is powered by 115VAC 60Hz power. (Optional DC powered unit available upon request.)

Please contact sales@bbginc.com for information on the specific configuration you require.

Technical Specifications

Parameter	Value	Units
Input Power		
Power Supply	115	Volts AC
	250	Milli-Amps
Input/Output		
Channel 1	1000Base-LX	
Channel 2	1000Base-SX	
Temperature Range		
Operating	-40 to +85	C°
Storage	-40 to +85	C°
Dimensions		
	12 x 10 x 6	In
	30.5 x 25.4 x 15.3	Cm
Weight	7	lbs



1708 South Park Court • Chesapeake, VA 23320

Phone: (757) 366-9211 • Fax: (757) 366-9170

E-mail: sales@bbginc.com • Website: www.bbginc.com

OVERVIEW

The BBG-SFP is an unmanaged three port Gigabit switch. It is designed for use in military and industrial data acquisition systems. The SFP provides an interface between two 1000BaseSX/LX Ports.

INPUTS/OUTPUTS

Power

The SFP operates on 115VAC 60Hz power fused at ¼ Amp.

Communications

The SFP is a stand-alone interface and provides for mix and match of Multimode and Single Mode fibers. The SFP has an internal switch with one 10/100/1000Base-T RJ-45 port and one each 1000Base-SX/LX SFP ports. The two 1000Base-SX/LX ports are accessed through two Mil spec connectors mounted on the enclosure.

CONNECTOR LIST

Inputs and outputs are available on military connectors and can be connected as described below:

J1 POWER

I/O CONNECTOR TYPE: D38999/24WC4PN

CONNECTOR MATE: D38999/26WC4SN

BACKSHELL: M85049/1813W03

Signal	Connection
115 VAC 60Hz	J1-A
115 VAC 60Hz	J1-B
Safety/Shield Ground	J1-C
Spare	J1-D



J2 1000Base-LX FIBER

I/O CONNECTOR TYPE: RPT2346113/040 (D38999/24WC4BN)

I/O TERMINAL TYPE: M29504/05-4046 (SOCKET)

CONNECTOR MATE: RPT2346113/040 (D38999/26WC4AN)

I/O TERMINAL TYPE: M29504/04-4040 (PIN)

BACKSHELL: M85049/1813W03

Signal	Terminal
TX (OUTPUT)	J2 – A
RX (INPUT)	J2 – B
SPARE	J2 – C
SPARE	J2 – D

J3 1000Base-SX FIBER

I/O CONNECTOR TYPE: RPT2346113/040 (D38999/24WC4BN)

I/O TERMINAL TYPE: M29504/05-4046 (SOCKET)

CONNECTOR MATE: RPT2346113/040 (D38999/26WC4AN)

I/O TERMINAL TYPE: M29504/04-4040 (PIN)

BACKSHELL: M85049/1813W03

Signal	Terminal
TX (OUTPUT)	J3 – A
RX (INPUT)	J3 – B
SPARE	J3 – C
SPARE	J3 - D



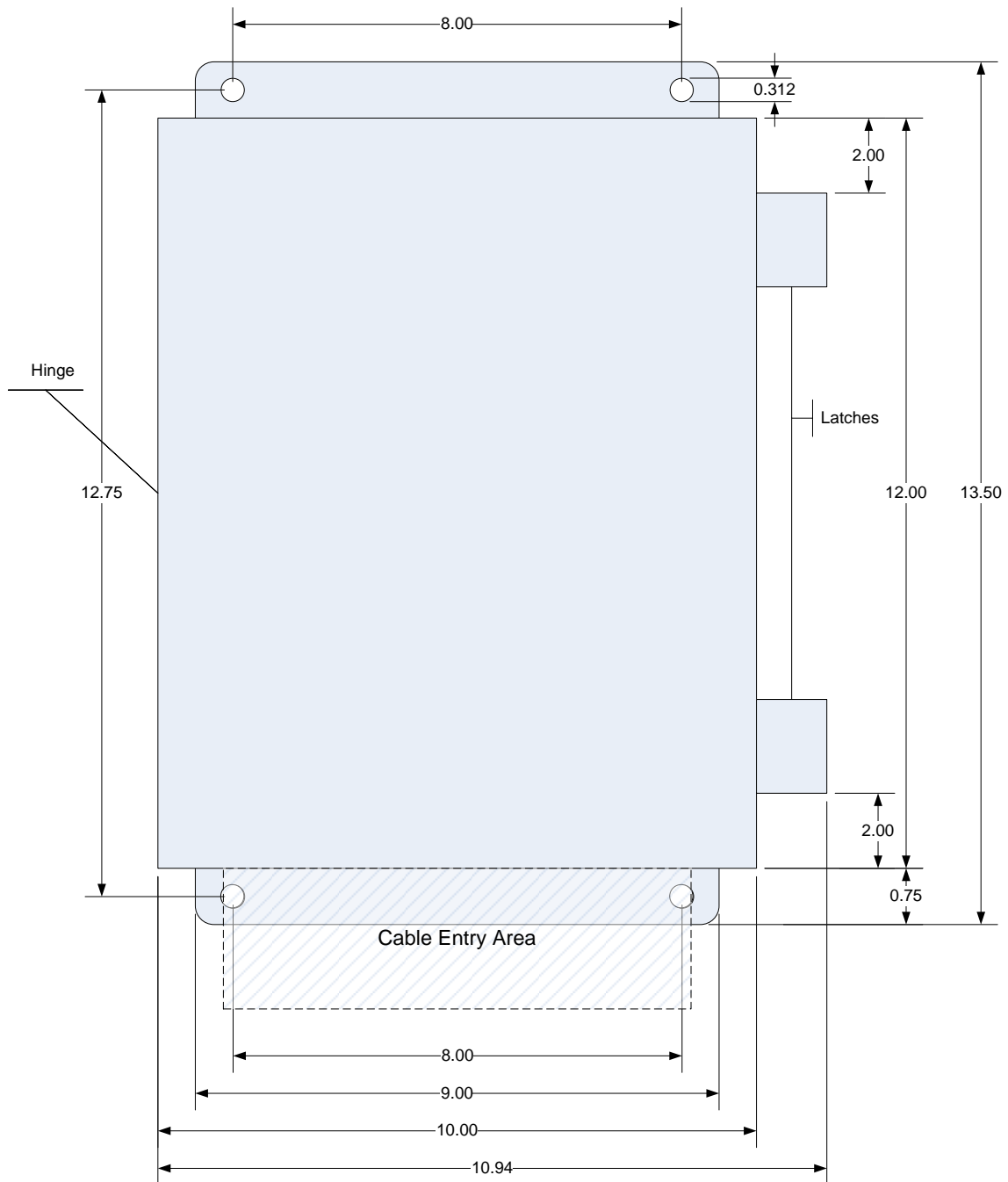
1708 South Park Court • Chesapeake, VA 23320

Phone: (757) 366-9211 • Fax: (757) 366-9170

E-mail: sales@bbginc.com • Website: www.bbginc.com

BBG-SFP

Product Specifications



1708 South Park Court • Chesapeake, VA 23320
Phone: (757) 366-9211 • Fax: (757) 366-9170
E-mail: sales@bbginc.com • Website: www.bbginc.com

NOTES



NOTES



NOTES

